

Technical data sheet

Product features



Pot and pan washer double skin with drain pump 50x60 - 400 V

Model	SAP Code	00014557
--------------	-----------------	----------



- Display type: ProScreen - 4 digit display + 2 LED bars
- Number of programs: 10
- Number of skin: 2
- Door clear height [mm]: 400
- Rack size [mm]: 500 x 600
- Water consumption of the washing cycle: 2,4-3,5
- Washing cycle time [s]: 60 - 720
- Detergent and rinse pump system: ProDose - accurate dosing with a peristaltic pump
- Wash pump type: two-way - DuoFlow
- Self-cleaning cycle: Yes
- Drain filter: ArchiMedes - double filtration with overflow discharge ensures only 18% loss of clean water to waste

SAP Code	00014557	Boiler power [kW]	7.000
Net Width [mm]	600	Basin volume [l]	23
Net Depth [mm]	700	Tank power [kW]	2.100
Net Height [mm]	1290	Water consumption of the washing cycle	2,4-3,5
Net Weight [kg]	72.00	Washing cycle time [s]	60 - 720
Power electric [kW]	9.800	Door clear height [mm]	400
Loading	400 V / 3N - 50 Hz	Rack size [mm]	500 x 600
Boiler capacity [l]	6.00	Noise of device	49,0

Technical data sheet

Technical drawing

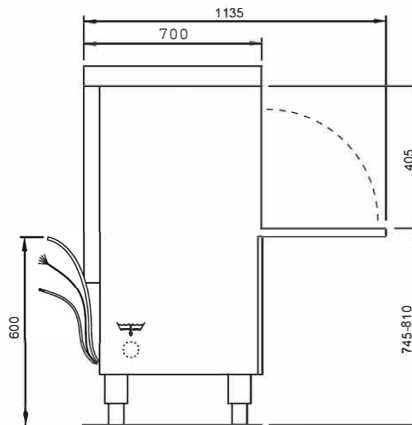
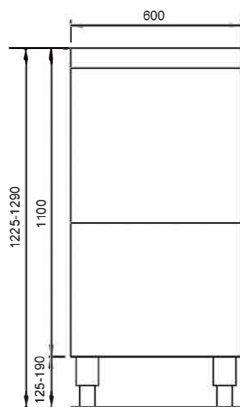


Pot and pan washer double skin with drain pump 50x60 - 400 V

Model

SAP Code

00014557



Technical data sheet

Technical parameters



Pot and pan washer double skin with drain pump 50x60 - 400 V

Model	SAP Code	00014557
-------	----------	----------

1. SAP Code:

00014557

15. Number of programs:

10

2. Net Width [mm]:

600

16. Door clear height [mm]:

400

3. Net Depth [mm]:

700

17. Inlet pressure:

2-4bar

4. Net Height [mm]:

1290

18. Adjustable feet:

Yes

5. Net Weight [kg]:

72.00

19. Number of skin:

2

6. Gross Width [mm]:

700

20. Self-cleaning cycle:

Yes

7. Gross depth [mm]:

800

21. Boiler capacity [l]:

6.00

8. Gross Height [mm]:

1250

22. Boiler power [kW]:

7.000

9. Gross Weight [kg]:

78.00

23. Basin volume [l]:

23

10. Device type:

Electric unit

24. Tank power [kW]:

2.100

11. Control type:

Digital

25. Number of arms for both rinsing and washing:

2

12. Material:

AISI 304

26. Arm connection:

Click-clack - easy removal with one hand

13. Power electric [kW]:

9.800

27. Washing arm type:

Rotating trident

14. Loading:

400 V / 3N - 50 Hz

28. Washing arm material:

Composite

Technical data sheet

Technical parameters



Pot and pan washer double skin with drain pump 50x60 - 400 V

Model	SAP Code	00014557
--------------	-----------------	----------

29. Rinsing arm type:

Rotating trident

30. Rinsing arm material:

Composite

31. Deep drawn tank:

Yes

32. Rack support:

Pressed

33. Tank surface strainers:

composite

34. Drain filter:

ArchiMedes - double filtration with overflow discharge ensures only 18% loss of clean water to waste

35. Thermostop:

Yes

36. Boiler thermostat adjust:

Yes

37. Detergent and rinse pump system:

ProDose - accurate dosing with a peristaltic pump

38. Energy Saving system:

EnergySaving - Energy saving system due to lowering the boiler temperature

39. Heating system:

HotWash - System of simultaneous operation of the heating element of the bath and the boiler, reducing the time for starting the next cycle

40. Hot water electric valve:

Yes

41. Rack size [mm]:

500 x 600

42. Display type:

ProScreen - 4 digit display + 2 LED bars

43. USB port:

Yes, for Firmware actualisation

44. Drain pump:

Yes

45. Self-diagnostics:

Yes

46. Wash pump type:

two-way - DuoFlow

47. Detergent dispenser:

Yes

48. Rinse aid dispenser:

Yes

49. Water consumption of the washing cycle:

2,4-3,5

50. Washing cycle time [s]:

60 - 720

51. Rinse water temperature [°C]:

80-85

52. Additional information:

The product comes with 1x RM Clean+ 12 kg (00012271) and 1x RM Rinse+ 10 kg (00012273) for free

53. Program ProFessional 2:

Yes

54. Program ProFessional 4:

Yes

Technical data sheet

Technical parameters



Pot and pan washer double skin with drain pump 50x60 - 400 V

Model

SAP Code

00014557

55. Program ProFessional 6:

Yes

60. Program ProPlates:

Yes

56. Program ProClean:

Yes

61. Program ProActive 5:

Yes

57. Program ProDrain:

Yes

62. Program ProActive 7:

Yes

58. Program ProEco:

Yes

63. Noise of device:

49,0

59. Program ProLong:

Yes